

job name:
 type:

18"/26" wāf.r™ spec sheet 90CRI

material

trim ring
 precision CNC spun .063" aluminum. rolled bottom edge for added strength.

diffuser
 .177" non-glare light matte high transmission acrylic drop lens held in place with allen key set screws recessed into trim ring.

optics
reflector
 .050" aluminum array platform painted high reflectance (>92%) matte white powder coat provides 100% downlight. for uplight, specify under options.

LED
 custom LED board in 3000K, 3500K, or 4000K 90+ cri standard optional. under normal operating conditions, the LEDs employed are rated for >50,000hrs L70 (6.8K) per IES TM-21 from LM-80 test data. white power cord is standard with other color options listed below.

driver
 integral, programmable, UL class P, class 2, universal input (120-277v), constant current, 0-10v dimming, 1% minimum dimming level, PF >.9, THD <20%, protections include open and short circuit, overload and over temperature.

mounting
 5" dia. spun steel canopy in satin white is designed to mount to a 4" octagon junction box (by other). four point vertical suspension of stainless steel cables attach to trim with field adjustable grippers that allow for exact AFF mounting heights. slip ring coupler allows for easy wire connections. optional quadpod to single point cable suspension.

emergency
 recommend use of inverter (by other). optional WREM: wired for remote EM battery (by other).



catalog number

--	--	--	--	--	--

size	CCT	lumens	painting finish	power cord	options
P5518 18" dia X 3" ht	30 3000K	FX 1300 lm	AP anodized paint	WHPC white power cord and canopy	6FT 72" cables
	35 3500K	LO 2550 lm	BS brass	BKPC black power cord and canopy	12FT 144" cables
	40 4000K	HI 4100 lm	BU blue	SBPC silver braid power cord and white canopy	10UP 10% uplight
		CL xxxx lm custom lumens consult factory	BZ bronze		QPD Quadpod hanging system choose suspension length above when selecting -QPD
P5526 (2ft) 26" dia X 5" ht <small>See p.2 for info on P5538 & P5548</small>	30 3000K	FX 2600 lm	CP champagne		WREM wired for remote EM battery pack (by other) (see note above)
	35 3500K	LO 5100 lm	FB flat black		ELD EldoLED*
	40 4000K	HI 8300 lm	GM gun metal		LUT Lutron* *consult factory
		HI 9700 lm	MB military blue		
		CL xxxx lm custom lumens consult factory	MW matte white		
			OR orange		
			RD red		
		SB satin black			
		SS satin silver			
		TG textured gray			
		YO yellow			

premium finish
 RAL specify RAL#



job name:
 type:

38"/48" wāf.r™ spec sheet 90CRI

material

trim ring

precision CNC spun min. .063" aluminum. rolled bottom edge for added strength.

diffuser

.177" non-glare light matte high transmission acrylic drop lens held in place with allen key set screws recessed into trim ring.

optics

reflector

.050" aluminum array platform painted high reflectance (>92%) matte white powder coat provides 100% downlight. for uplight, specify under options.

LED

custom LED board in 3000K, 3500K, or 4000K 90+ cri standard. under normal operating conditions, the LEDs employed are rated for >50,000hrs L70 (6.8K) per IES TM-21 from LM-80 test data. white power cord is standard with other color options listed below.

driver

integral, programmable, UL class P, class 2, universal input (120-277v), constant current, 0-10v dimming, 1% minimum dimming level, PF >.9, THD <20%, protections include open and short circuit, overload and over temperature.

mounting

5" dia. spun steel canopy in satin white is designed to mount to a 4" octagon junction box (by other). four point vertical suspension of stainless steel cables attach to trim with field adjustable grippers that allow for exact AFF mounting heights. slip ring coupler allows for easy wire connections. optional quadpod to single point cable suspension.

emergency

recommend use of inverter (by other). optional WREM: wired for remote EM battery (by other).



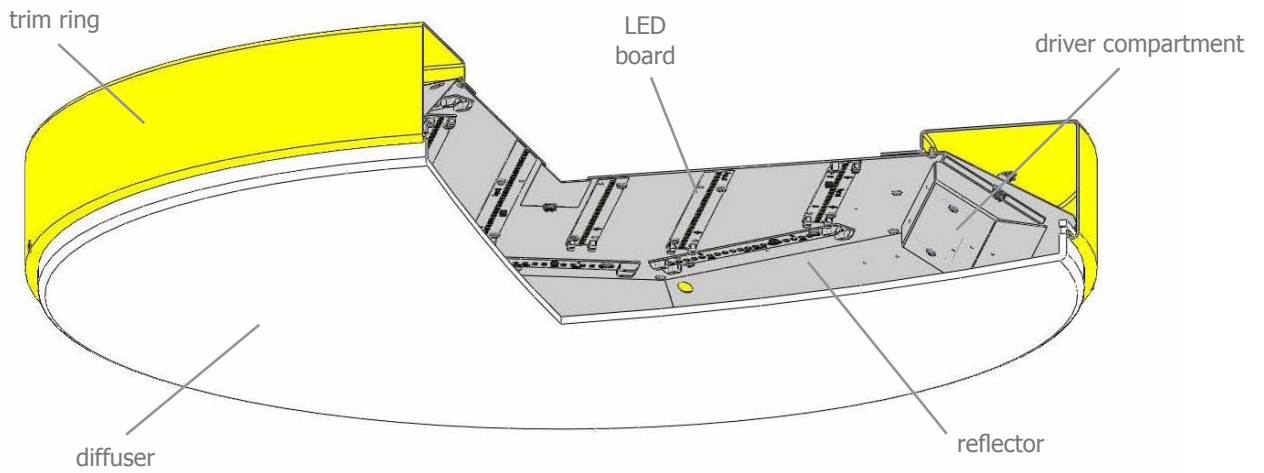
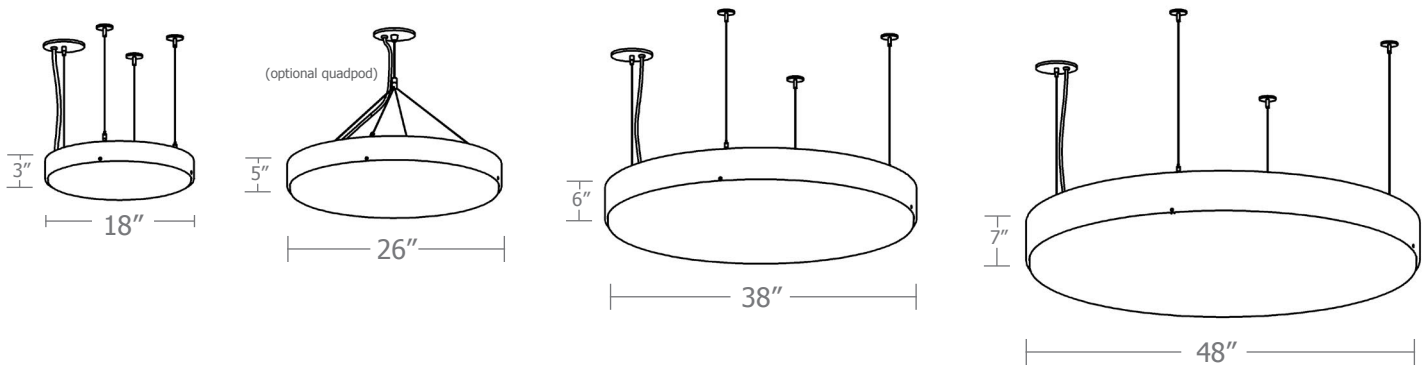
catalog number

--	--	--	--	--	--

size	CCT	lumens	paint finish	power cord	options
P5538 (3ft) 38"dia X 6"ht	30 3000K	FX 5150 lm	AP anodized paint	WHPC white power cord and canopy	6FT 72" cables
	35 3500K	LO 10200 lm	BS brass	BKPC black power cord and canopy	12FT 144" cables
	40 4000K	HI 16600 lm	BU blue	SBPC silver braid power cord and white canopy	10UP 10% uplight
		HX 19400 lm	BZ bronze		QPD Quadpod hanging system <small>choose suspension length above when selecting -QPD</small>
		CL xxxx lm <small>custom lumens consult factory</small>	CP champagne		WREM wired for remote EM battery pack <small>(by other) (see note above)</small>
P5548 (4ft) 48"dia X 7"ht	30 3000K	FX 7700 lm	FB flat black		ELD EldoLED*
	35 3500K	LO 15300 lm	GM gun metal		LUT Lutron* <small>*consult factory</small>
	40 4000K	HI 25000 lm	MB military blue		
		HX 29100 lm	MW matte white		
		CL xxxx lm <small>custom lumens consult factory</small>	OR orange		
		RD red			
		SB satin black			
		SS satin silver			
		TG textured gray			
		YO yellow			

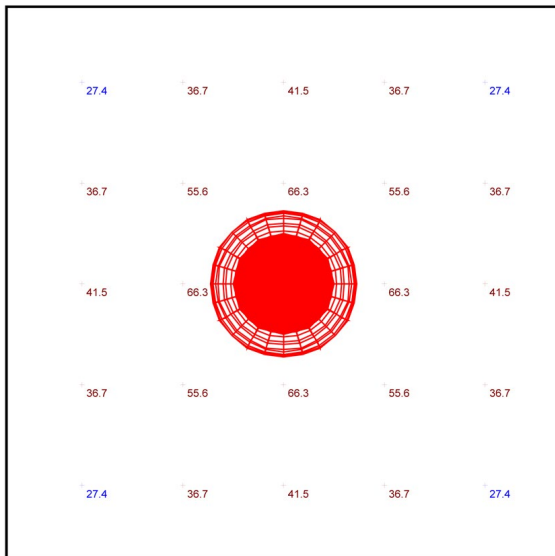
premium finish
 RAL specify RAL#





performance

Statistics						
Description	Symbol	Avg	Min	Max/Min	Avg/Min	Max
waf.r	+	45.5 fc	27.4 fc	2.9:1	1.7:1	80.8 fc



Plan View
Scale - 1" = 4ft

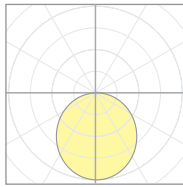
- 22' x 22' x 22'H space
- 80/50/20 reflectances
- bottom of fixture at 14' aff
- FC readings at 2.5' aff
- layout conducted using P5548 HX lumen package (29100 delivered lumens)



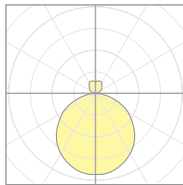
Calculation Table

The application of a Light Loss Factor is required to:

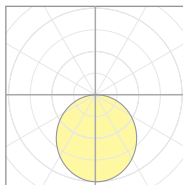
- match the lumen output for the power module specified
- incorporate the increased lumen output due to LED/Driver upgrades



18682
P5526



18689
P5538-10UP



18693
P5548

Cat No	Delivered* Lumens	Watts 120V / 277V	IES File #	LLF to be applied
P5518 FX	1300	15	20153 direct	.38
			20152 10UP	.35
P5518 LO	2550	29	20153 direct	.74
			20152 10UP	.69
P5518 HI	4100	48	20153 direct	1.19
			20152 10UP	1.11
P5526 FX	2600	30	18681 direct	.61
			18685 10UP	.38
P5526 LO	5100	59	18681 direct	1.20
			18685 10UP	.75
P5526 HI	8300	96	18681 direct	1.25
			18685 10UP	1.21
P5526 HX	9700	112	18681 direct	1.46
			18685 10UP	1.42
P5538 FX	5150	59	18686 direct	.77
			18689 10UP	.70
P5538 LO	10200	118	18686 direct	1.53
			18688 10UP	1.40
P5538 HI	16600	192	11208 direct	1.20
			18689 10UP	1.40
P5538 HX	19400	224	11208 direct	1.40
			18689 10UP	1.63
P5548 FX	7700	89	18692 direct	.86
			19172 10UP	.45
P5548 LO	15300	177	18692 direct	1.70
			19172 10UP	.88
P5548 HI	25000	288	18693 direct	1.69
			19172 10UP	1.45
P5548 HX	29100	336	18693 direct	1.96
			19172 10UP	1.68

*delivered lumens based on 4000K, 90+ cri



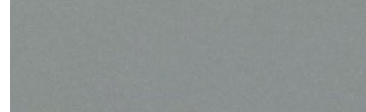
Powder Coat Paint Finishes



MW matte white



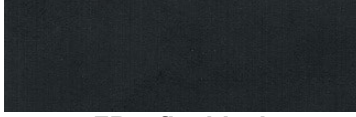
AP anodized paint



SS satin silver



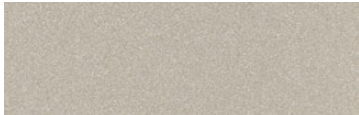
TG textured gray



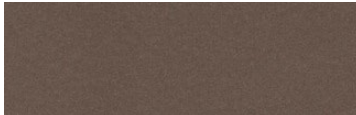
FB flat black



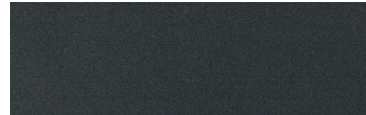
SB satin black



CP champagne



BZ bronze



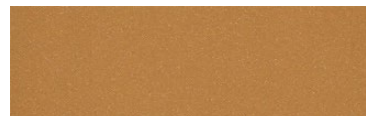
GM gun metal



OR orange 2011



BU blue 5017



BS brass



RD red 3020



YO yellow 1018



MB military blue

For accurate color verification, actual finish samples are available upon request.

Premium Finishes*



RAL#

*Available on select series. Consult product submittal for availability.